



蓄电池状态指示器 Battery Charge Indicator

■ 湖北联鸿能源科技有限公司

产品介绍:

蓄电池状态指示器(电眼)是一种直接、简单、环保的查看蓄电池电量的组件。它不同于传统的检测仪器,不再需要您购买昂贵的电子检测设备和繁琐的检测工具来对您的汽车电池电量进行检测。由于该产品的简单实用,已经深受国内外各大蓄电池供应商和汽车配件商的青睐。蓄电池状态指示器主要采用拔插和螺旋两种安装方式,这使得安装更加方便快捷。

The battery charge indicator (magic eye) is the most direct, simple, and environmentally component for checking battery power. Unlike traditional testing instruments, it no longer requires you to purchase expensive electronic testing equipment and cumbersome testing tools to test the battery power of your car. Due to its simplicity and practicality, this product has been favored by major battery manufactures and auto parts suppliers domestic and abroad. The battery charge indicator mainly adopts two installation methods: push-in and screw, which makes installation more convenient and quick.

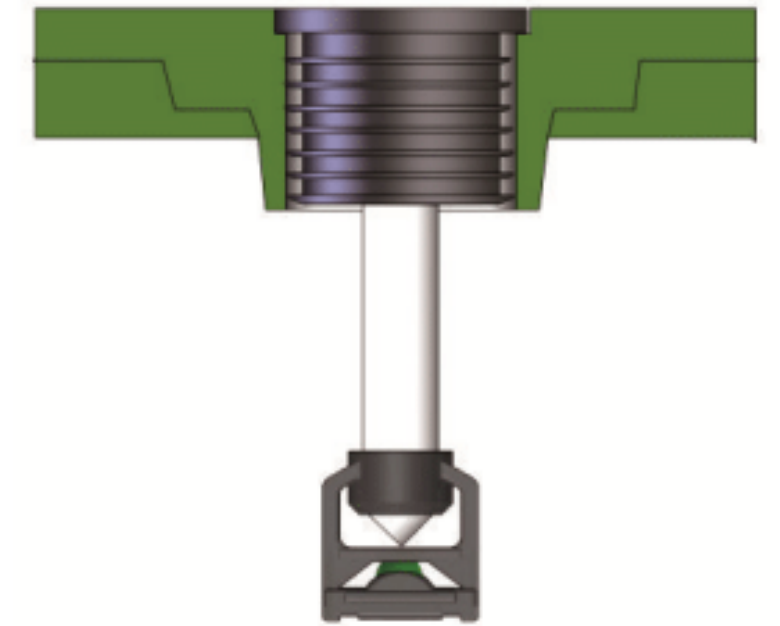
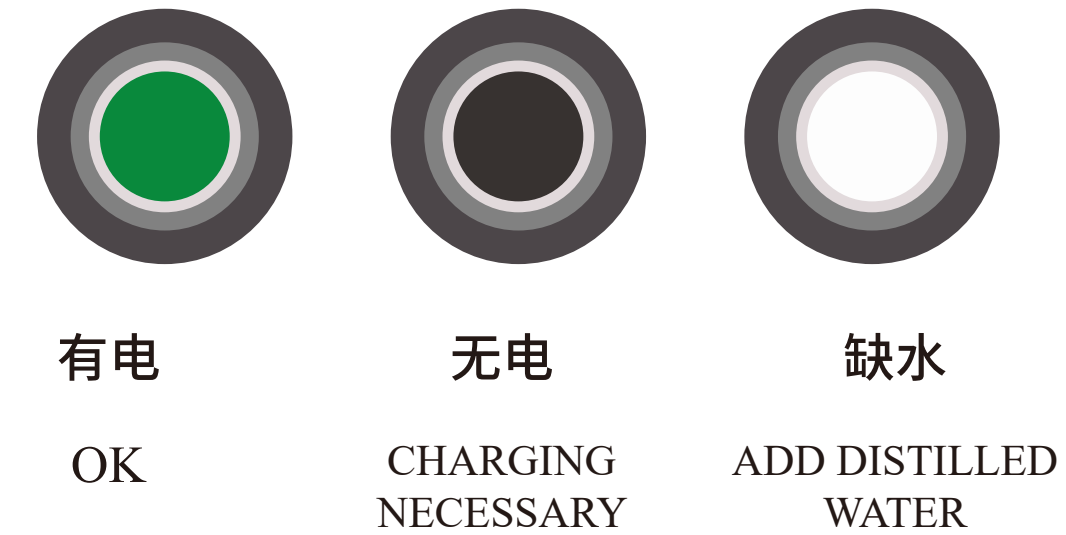
产品特性:

当蓄电池存电充足,电解液相对密度大属于设定值时,两只小球向上浮动到极限位置,经过光线折射小球的颜色,从指示器顶部观察到的结果,中心呈红色圆点,周围呈绿色圆环,表示蓄电池技术状态良好。

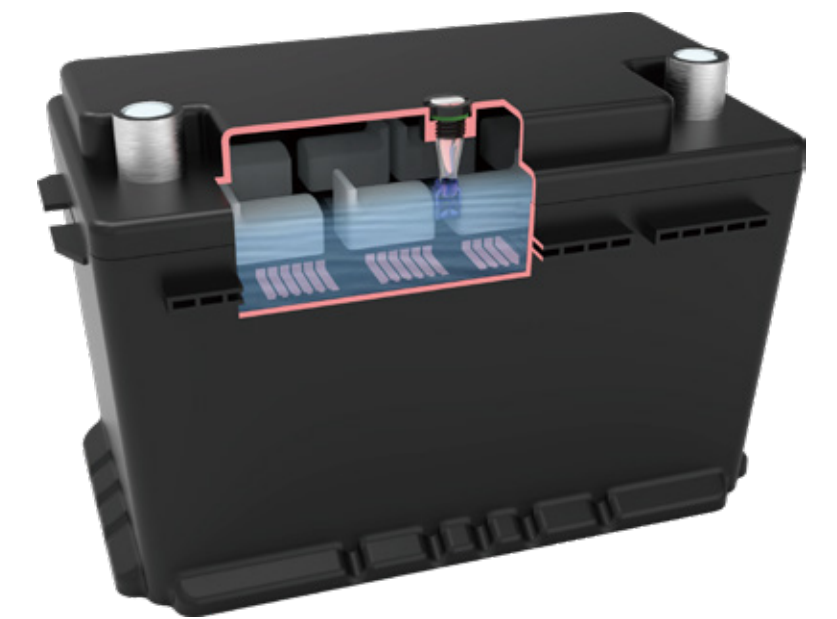
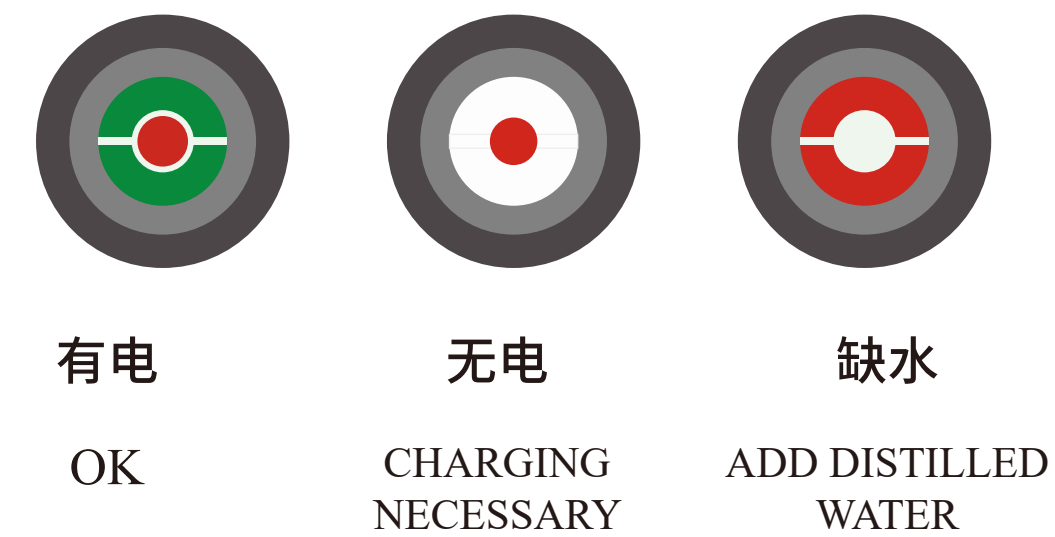
Product Features:

When the battery is fully charged and the relative density of the electrolyte is high, which is the set value, the two small balls float upward to the limit position. After the light refracts the color of the small balls, the result observed from the top of the indicator is a red dot in the center. A green circle around it indicates that the battery is in good technical condition.

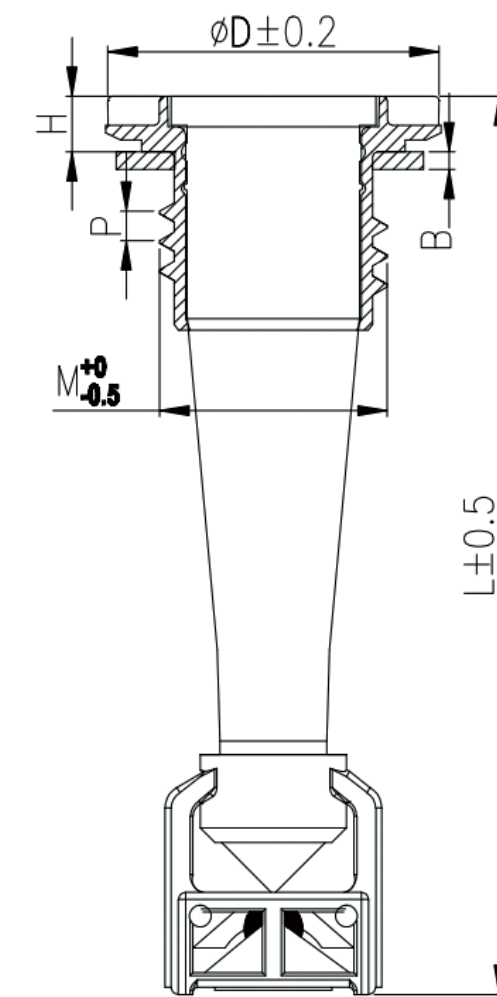
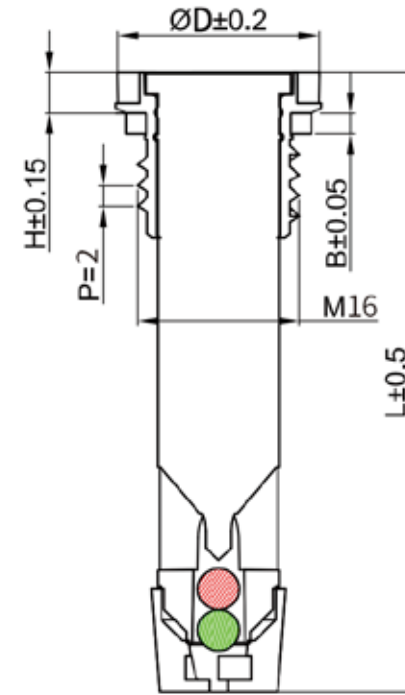
单球显色效果图 Single Ball Diagram



双色球显色效果图 Double Ball Diagram



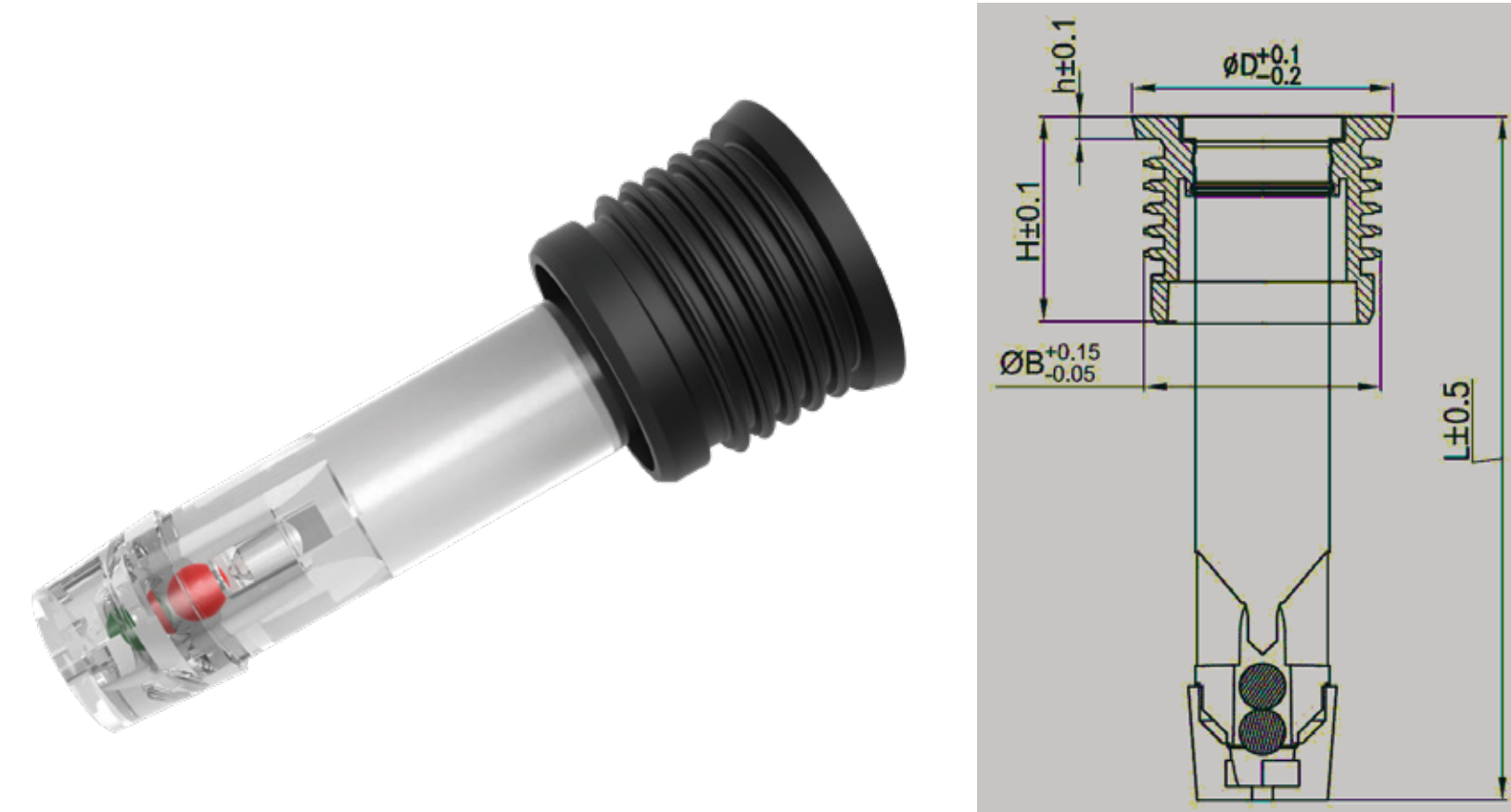
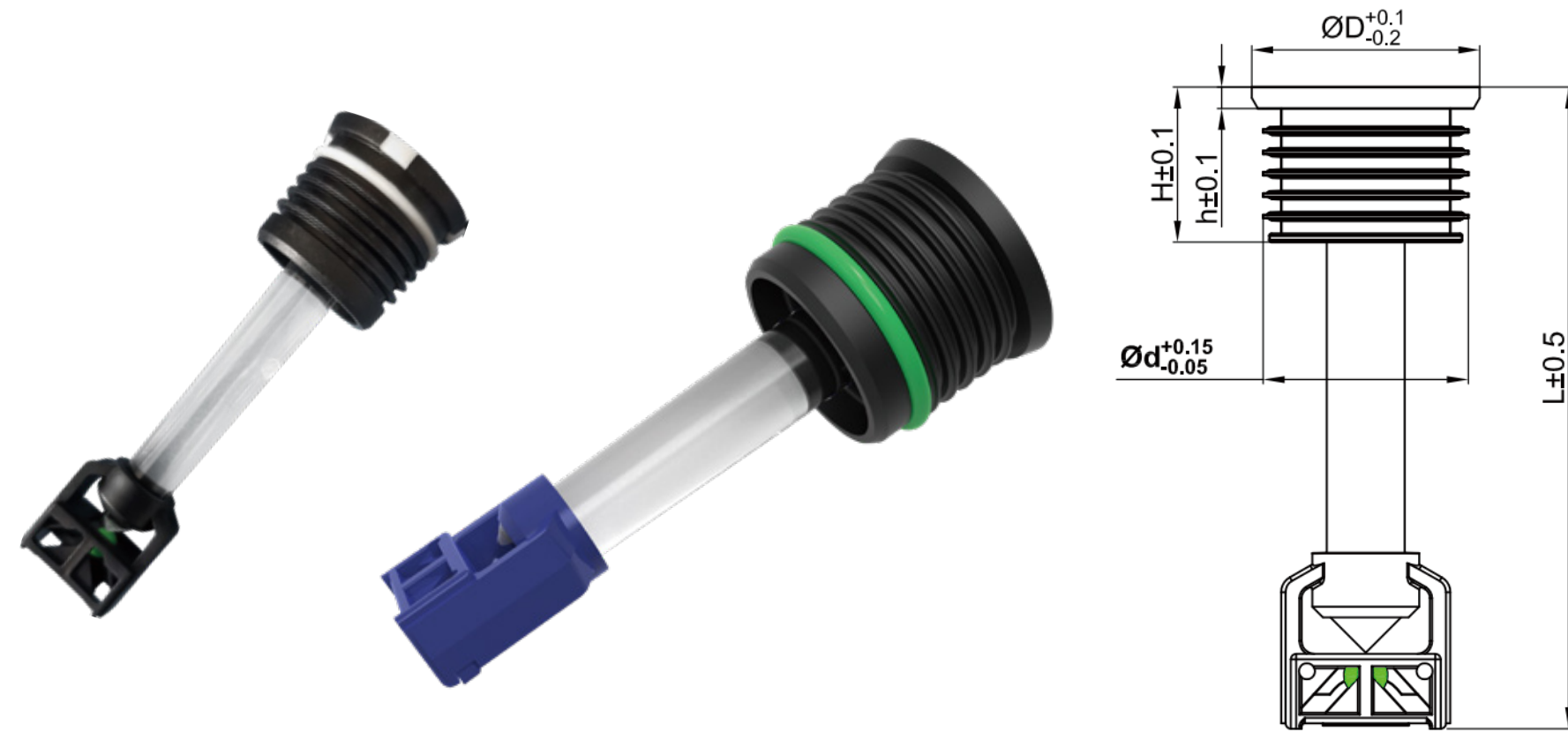
A系列 / A Serise



型号 Item NO	主要尺寸Specifications(mm)						产品说明 Description
	顶部直径 Head Diameter	顶部厚度 Head Thickness	垫圈厚度 Washer Thickness	螺纹直径 Screw Diameter	螺纹间距 Screw Pitch	长度 Length	
	D	H	B	M	P	L	
A101	φ20	4	2.5	M16	2	35/40/45/50/53/55/58 /60/65/68/70/80	包塑螺旋式(双色球) 双色球盒/显色杆 Plastic head with screw/2 balls/2 cages
A102	φ20	4	2.5	M15	1.5		
A103	φ23	3	1.3	M16	2		
A104	φ23	3	2.6	M15	1.5		
A105	φ24	3	1.2	M18	2.5		
A106	φ22	4	2.3	M16	2		

型号 Item NO	主要尺寸Specifications(mm)						产品说明 Description
	顶部直径 Head Diameter	顶部厚度 Head Thickness	垫圈厚度 Washer Thickness	螺纹直径 Screw Diameter	螺纹间距 Screw Pitch	长度 Length	
	D	H	B	M	P	L	
A201	φ20	4	2.5	M16	2	40/45/50/55/60/68	包塑螺旋式(单色球) 单球盒/锥形显色杆 Plastic head with screw/cone-shaped/one ball
A202	φ20	4	2.5	M15	1.5		
A203	φ23	3	1.3	M16	2		
A204	φ23	3	2.6	M15	1.5		
A205	φ24	3	1.2	M18	2.5		
A206	φ22	4.6	1.8	M16	2		

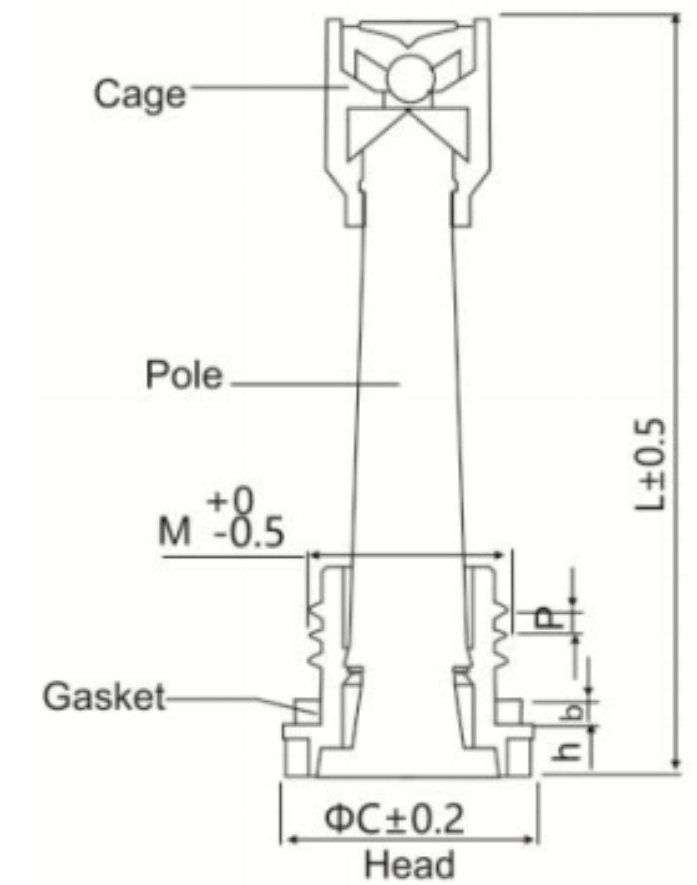
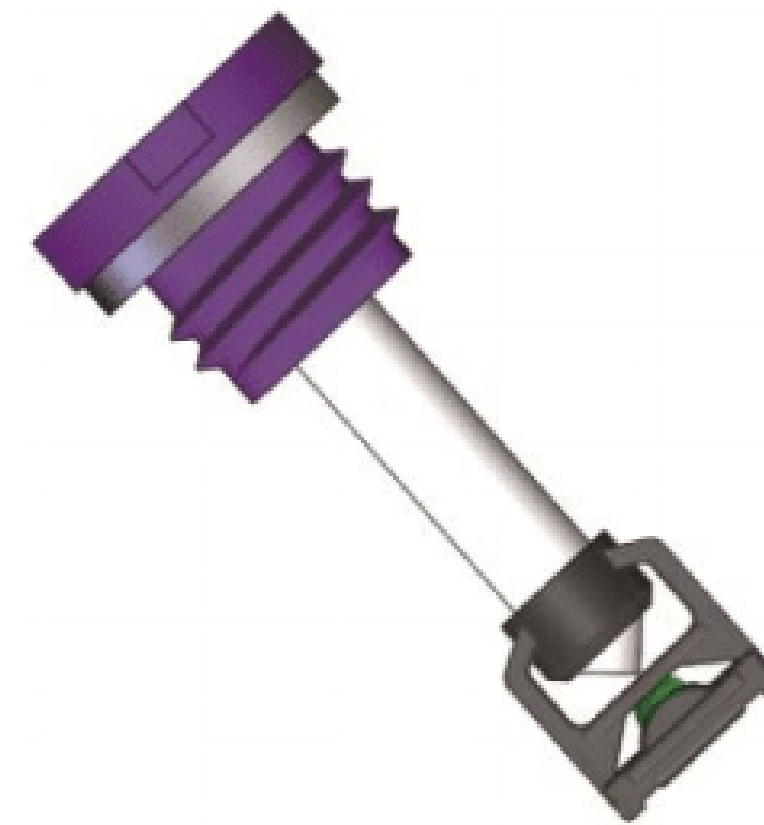
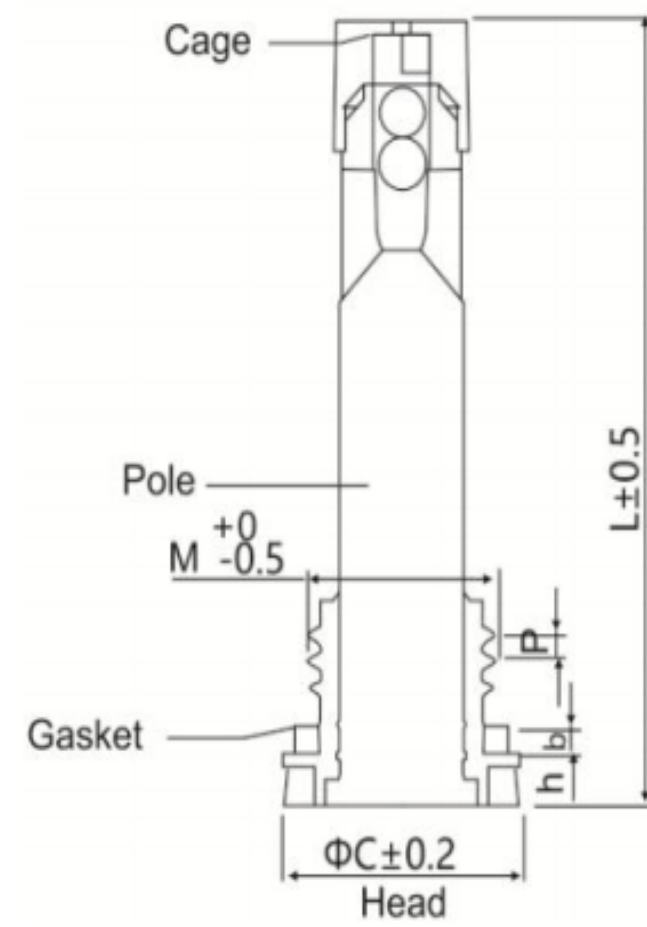
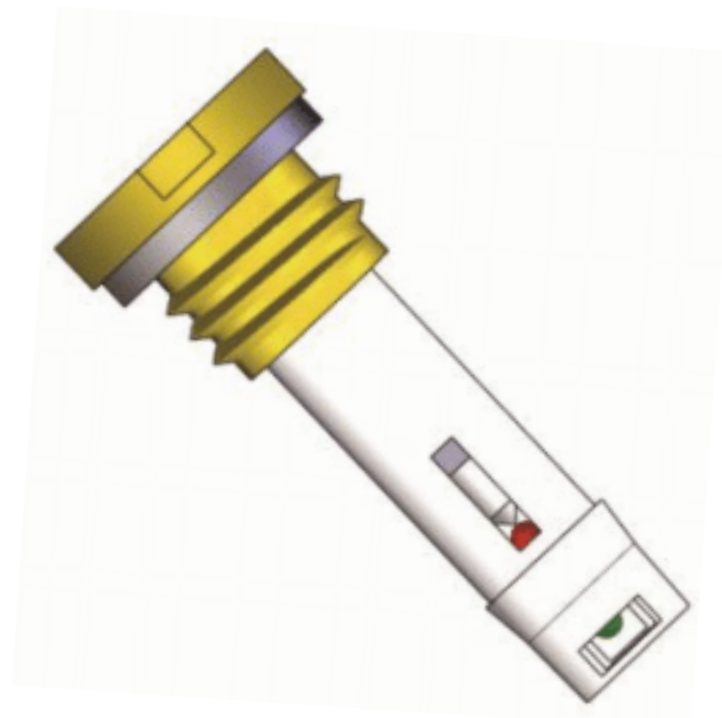
B系列 / B Serise



型号 Item NO	主要尺寸Specifications(mm)					产品说明 Description
	顶部直径 Head Diameter	顶部厚度 Head Thickness	密封直径 Sealing Diameter	密封长度 Sealing Length	长度 Length	
	D	H	B	H	L	
B101	φ21.3	2	φ19.16	14.5	40/42/45/48/48.7/50/52/53/55/ 57/57.7/58/60/62.5/64/65/65.3/ 66/67.5/68/70/72/75/77.5	插拔式直显色杆 Push-in type/straight pole/1 ball
B102	φ22.9	2	φ20.77	14.5		
B104	φ21.3	2	φ19.16	18		
B105	φ22.9	2	φ20.77	18		
B106(双色)	φ21.3	2	φ19.16	18		

型号 Item NO	主要尺寸Specifications(mm)					产品说明 Description
	顶部直径 Head Diameter	顶部厚度 Head Thickness	密封直径 Sealing Diameter	密封长度 Sealing Length	长度 Length	
	D	H	B	H	L	
B401	φ21.3	2	φ19.16	14.5	35/40/45/50/53/55/58/60/65/68 /70/80	插拔式双色球 Push-in type with 2 balls
B402	φ22.9	2	φ20.77	14.5		
B405	φ22.9	2	φ20.77	18		
B501	φ21.3	2	φ19.35	15.8		

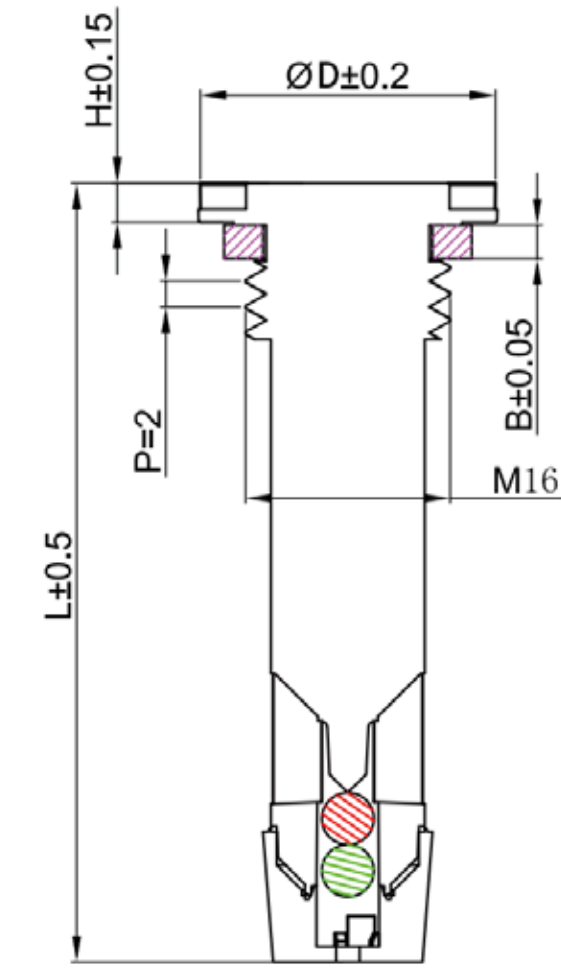
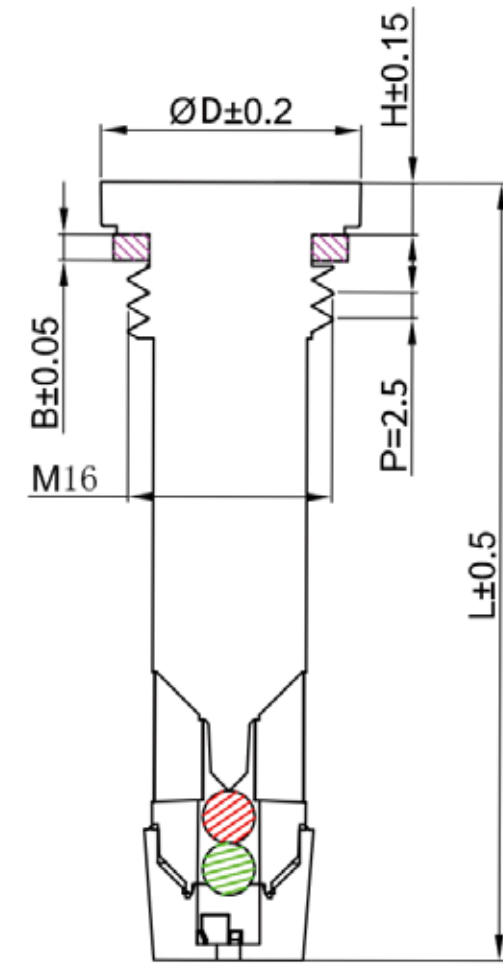
C系列 / C Serise



型号 Item NO	主要尺寸 (mm)						产品说明 Description
	顶部直径 Head Diameter	顶部厚度 Head Thickness	垫圈厚度 Packing Thickness	螺纹直径 Screw Diameter	螺纹间距 Screw Pitch	长度 Lenght	
	D	H	B	M	P	L	
C101	φ20	4	2	M16	2	35/40/45/50/5 3/55/58/60/65 /68/70	包塑螺旋式(双 色球) 双色球盒 /显色杆 Plastic head with screw/2 ball/2 cage
C102	φ20	4	2	M15	1.5		
C103	φ23	3	2.6	M16	2		
C104	φ23	3	2.6	M15	1.5		
C105	φ24	3	1.2	M18	2.5		

型号 Item NO	主要尺寸 (mm)						产品说明 Description
	顶部直径 Head Diameter	顶部厚度 Head Thickness	垫圈厚度 Packing Thickness	螺纹直径 Screw Diameter	螺纹间距 Screw Pitch	长度 Lenght	
	D	H	B	M	P	L	
C201	φ20	4	2	M16	2	40/42/45/48/48 .7/50/52/53/55/ 57.7/58/60/62.5 /64/65/66/67.5 68/70/72/75/78	包塑螺旋式(单色球) 单色球盒/锥形显 色杆 Plastic head with screw/cone-shap ed
C202	φ20	4	2	M15	1.5		
C203	φ23	3	2.6	M16	2		
C204	φ23	3	2.6	M15	1.5		

D系列 / D Serise



型号 Item NO	主要尺寸Specifications(mm)						产品说明 Description
	顶部直径 Head Diameter	顶部厚度 Head Thickness	垫圈厚度 Washer Thickness	螺纹直径 Screw Diameter	螺纹间距 Screw Pitch	长度 Length	
	D	H	B	M	P	L	
D101	φ20	4	2	M16	2	40/45/50/55/60/65/70	PMMA螺旋式(双色球) 双色球盒/一字式
D102	φ23	3	2.6	M16	2	40/45/50/55/60/68	
D105	φ24	3	1.2	M16	2.5		PMMA Transparent head with screw/2balls/-Coin type install
D301	φ25	4	/	M18	2.5	57/63	

型号 Item NO	主要尺寸Specifications(mm)						产品说明 Description
	顶部直径 Head Diameter	顶部厚度 Head Thickness	垫圈厚度 Washer Thickness	螺纹直径 Screw Diameter	螺纹间距 Screw Pitch	长度 Length	
	D	H	B	M	P	L	
D201	φ20.5	4	2	M16	2	40/45/48/50/52/55/60/65	PMMA螺旋式(双色球) 双色球盒/卡扣式PMMA
D202	φ23	3	2.6	M16	2	40/45/50/55/60	
D205	φ24	3	1.2	M18	2.5		